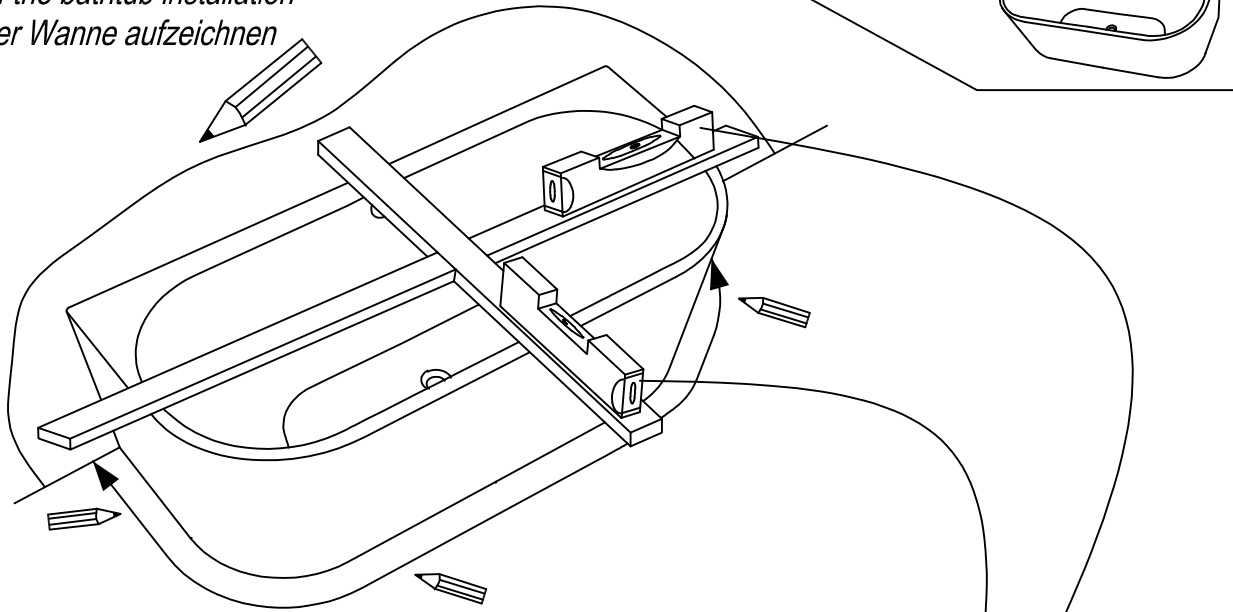


12/2021

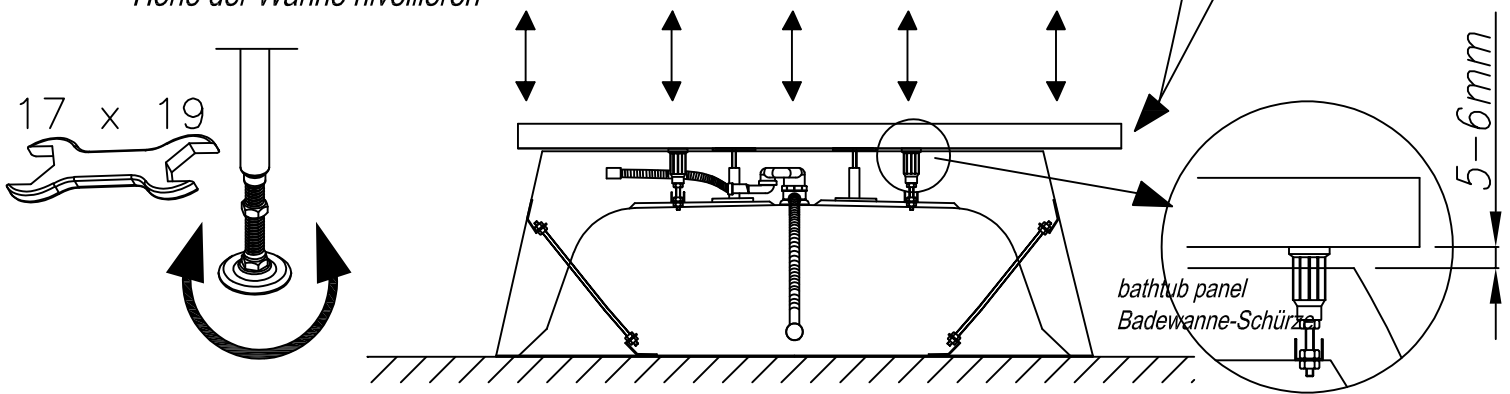
Drawing of the bathtub installation

1. Position der Wanne aufzeichnen



2. Leveling of the bathtub height

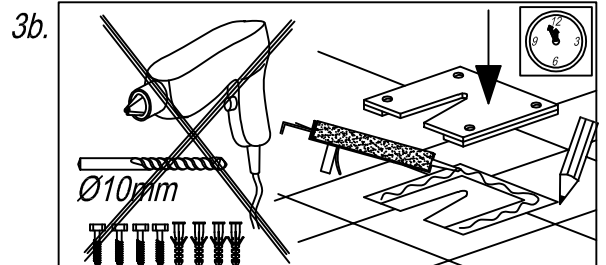
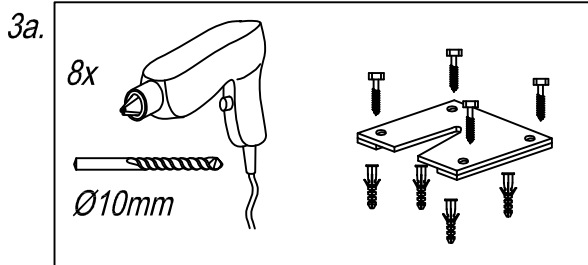
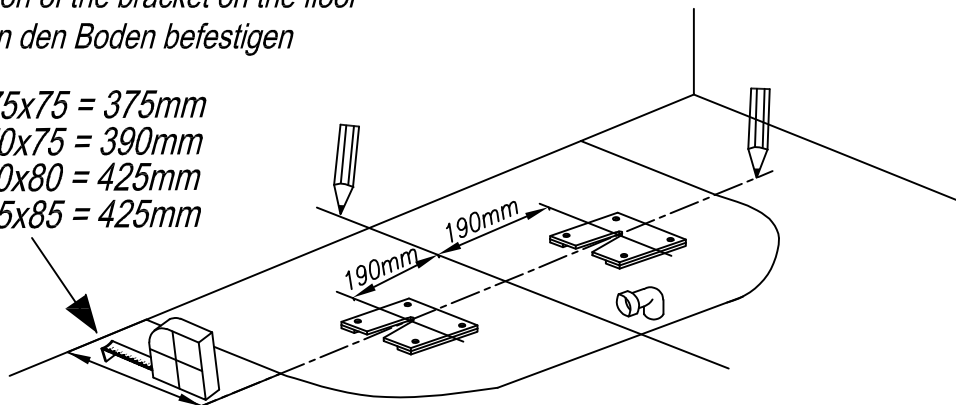
Höhe der Wanne nivellieren



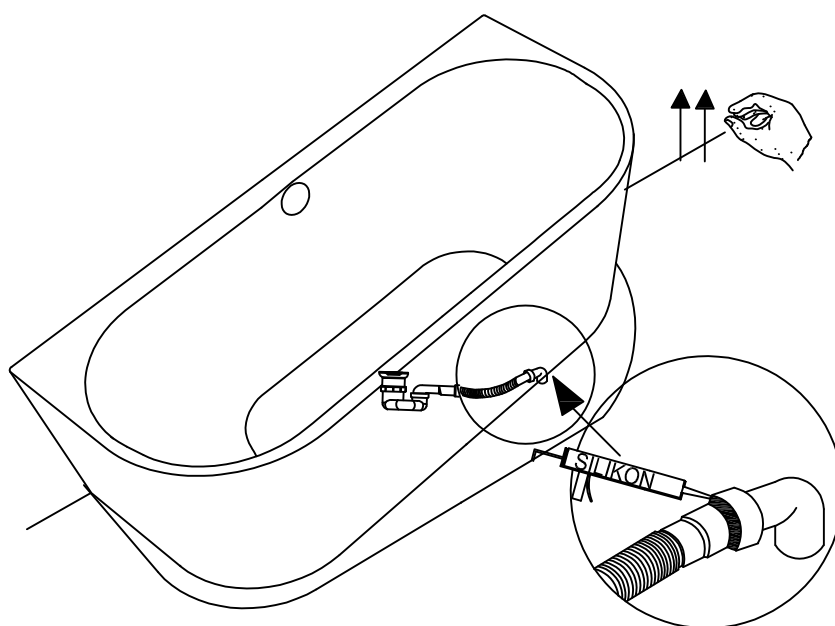
3. Installation of the bracket on the floor

Träger in den Boden befestigen

- Elektra 175x75 = 375mm
- Dream 170x75 = 390mm
- Dream 180x80 = 425mm
- Elektra 185x85 = 425mm



4. *Installation of siphon*
Siphon-Montage



5. *Installation of the bathtub in the mounted bracket*
Badewanne in den fixierten Träger stellen

